

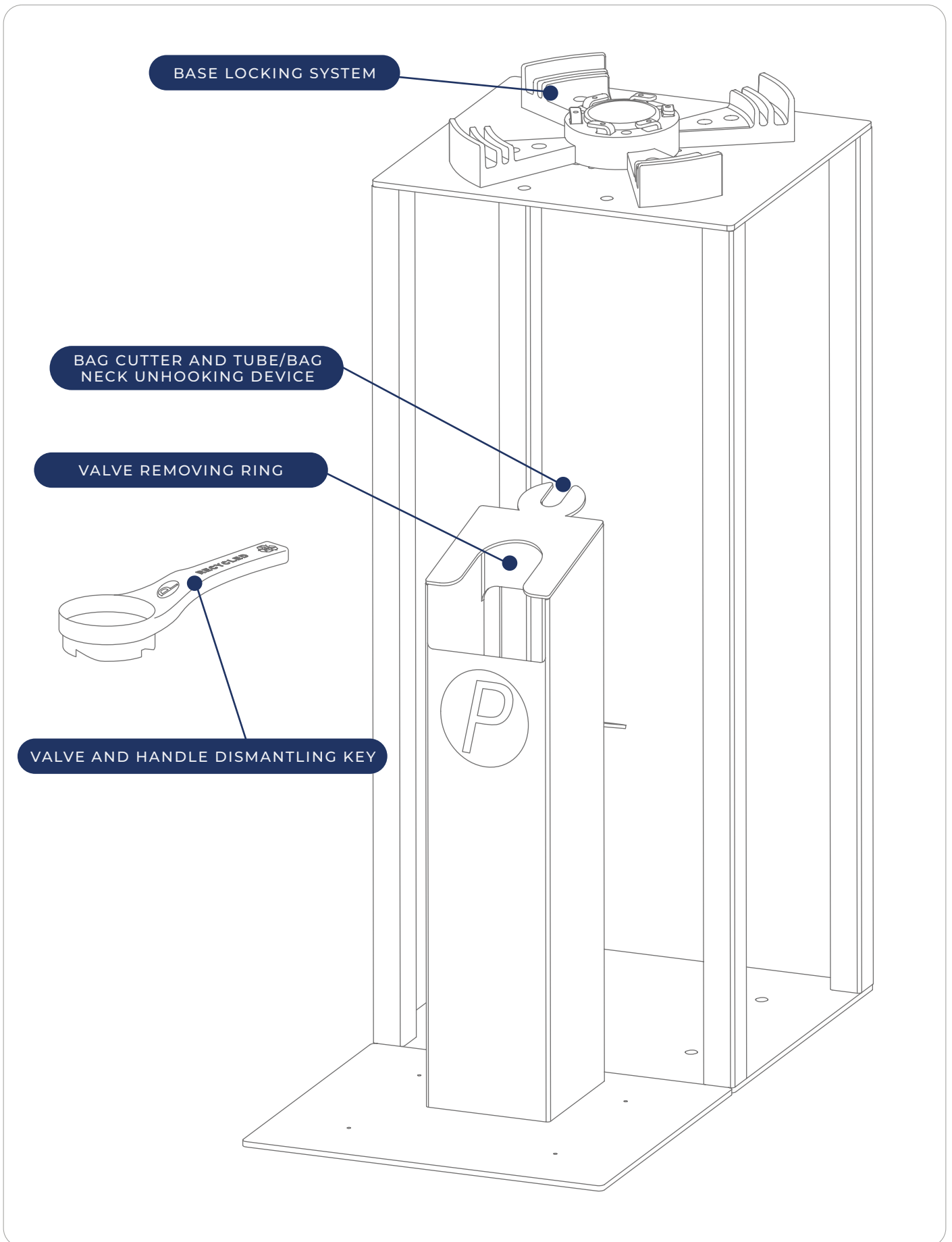
ENGLISH



---

# DISMANTLING INSTRUCTIONS POLYKEG PRO 2.0

# DISMANTLING INSTRUCTIONS POLYKEG PRO 2.0 WITH EQUIPMENT



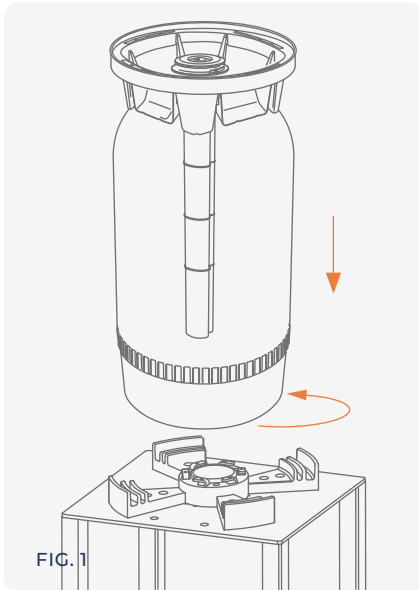
# DISMANTLING INSTRUCTIONS POLYKEG PRO 2.0 WITH EQUIPMENT



Before proceeding, please also carefully consult the warnings in 'Section 1' of the Polykeg PRO 2.0 user manual and the keg technical sheet available in the 'Download' section of the PolyKeg website.

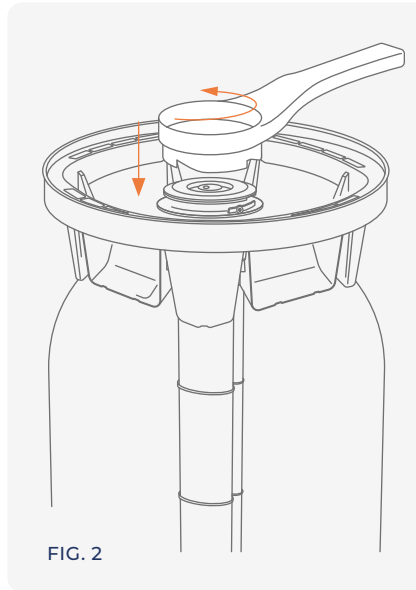
## DISMANTLING PROCEDURE

### 1. Keg locking



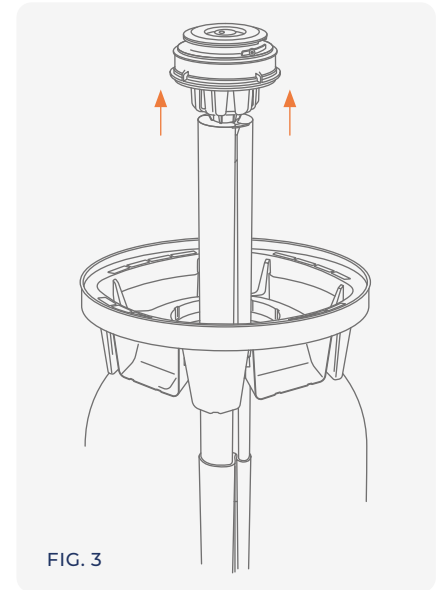
Hook the depressurized keg to the device surface.

### 2. Valve removal



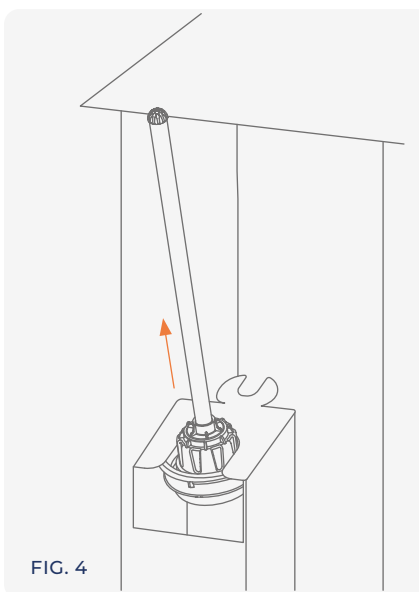
Unscrew the valve using the dedicated dismantling key.

### 3. Valve extraction with dip tube or bag kit

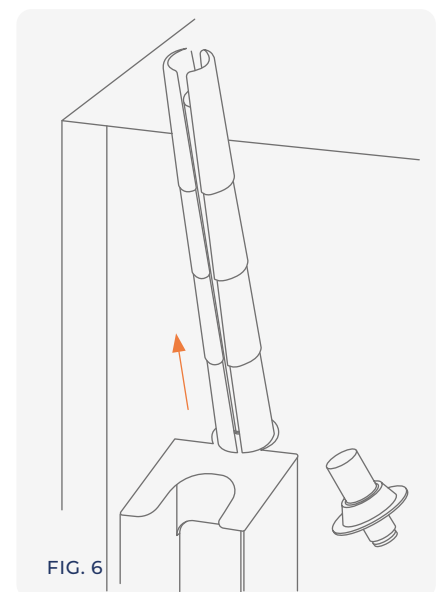
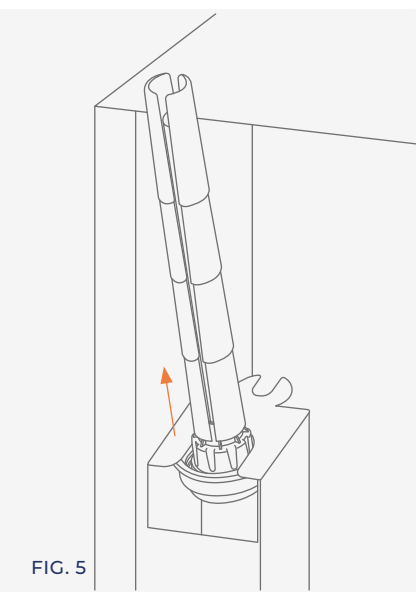


Pull out of the bottle the valve and the dip tube, or the valve and the bag kit.

### 4. Valve from dip tube or from bag kit separation



Hook the valve to the ring and then detach it from the dip tube or from the bag kit.

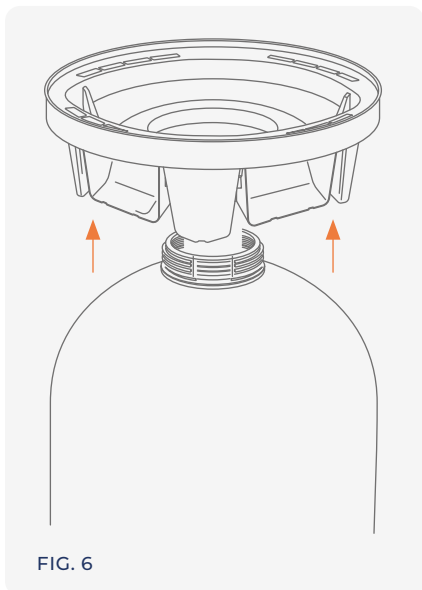


Hook the bag kit to the ring and separate the dip tube and bag from the bag neck.

# DISMANTLING INSTRUCTIONS POLYKEG PRO 2.0 WITH EQUIPMENT



## 6. Handle removal



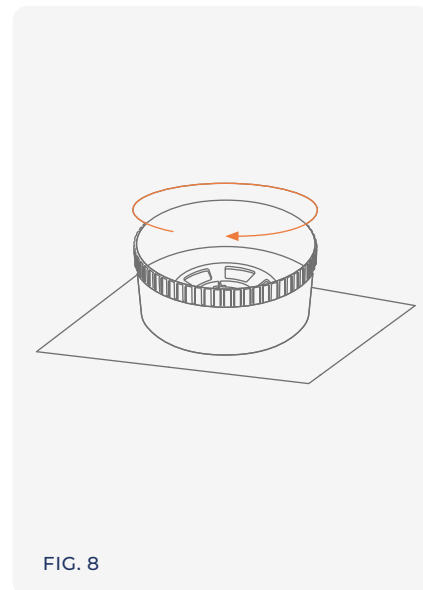
Remove the keg handle.

## 7. Base removal



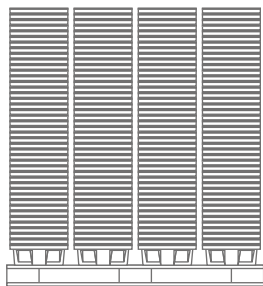
Push the bottle until the base comes out.

## 8. Base unlocking

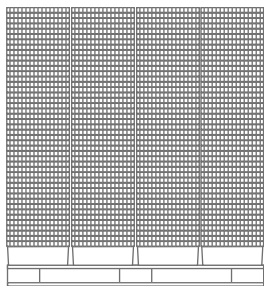


Unhook the base of the keg from the device surface.

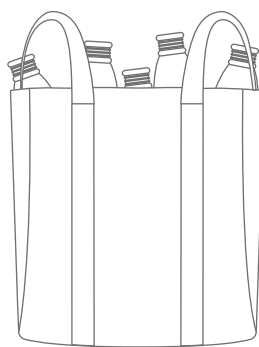
## 9. Sorted keg components



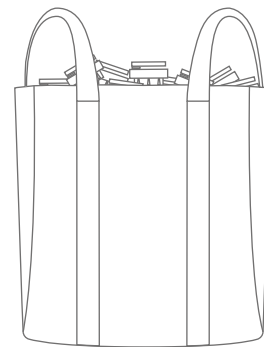
**HANDLES**



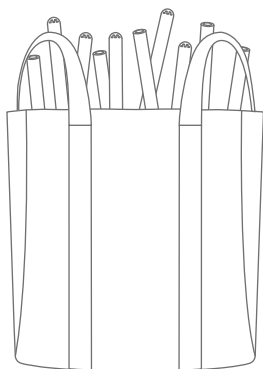
**BASES**



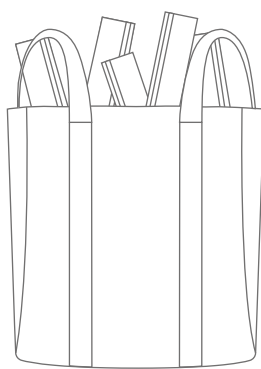
**BOTTLES**



**VALVES**



**DIP TUBES**



**BAGS**



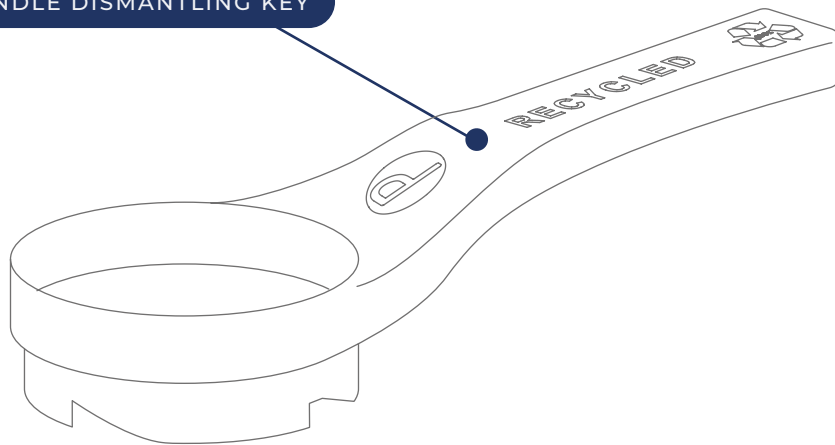
**BAG NECKS**

Store the keg components in appropriate boxes at the end of each step.

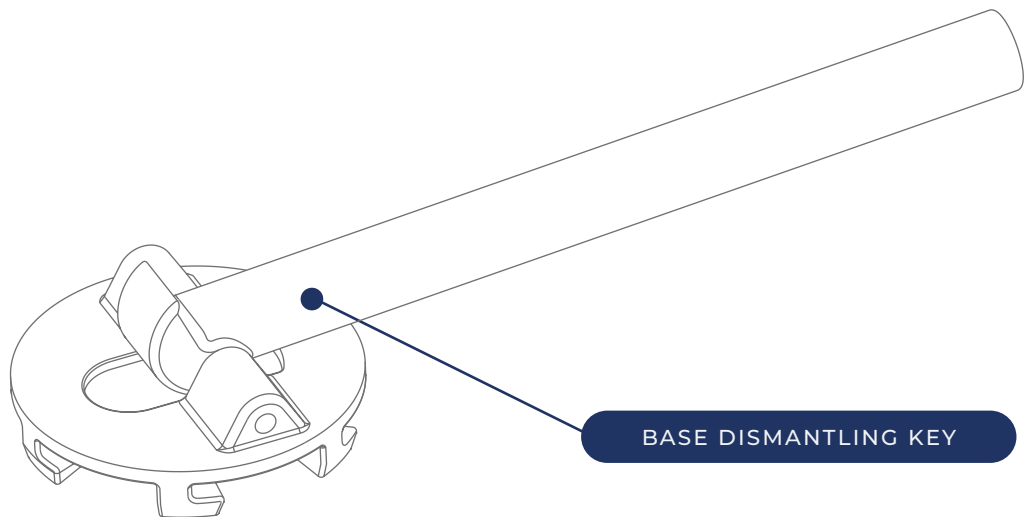
# DISMANTLING INSTRUCTIONS POLYKEG PRO 2.0 WITH KEY



VALVE AND HANDLE DISMANTLING KEY



BASE DISMANTLING KEY



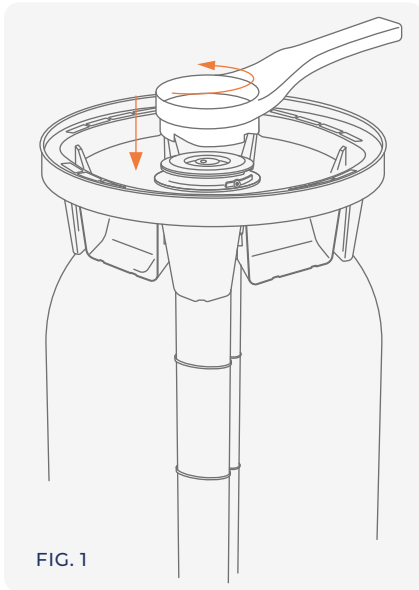
# DISMANTLING INSTRUCTIONS POLYKEG PRO 2.0 WITH KEY



Before proceeding, please also carefully consult the warnings in 'Section 1' of the Polykeg PRO 2.0 user manual and the keg technical sheet available in the 'Download' section of the PolyKeg website.

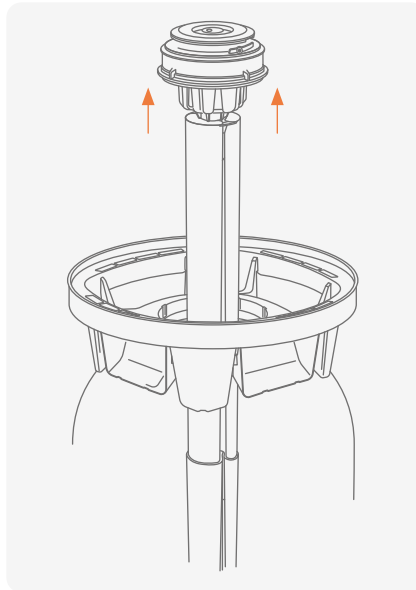
## DISMANTLING PROCEDURE

### 1. Valve removal



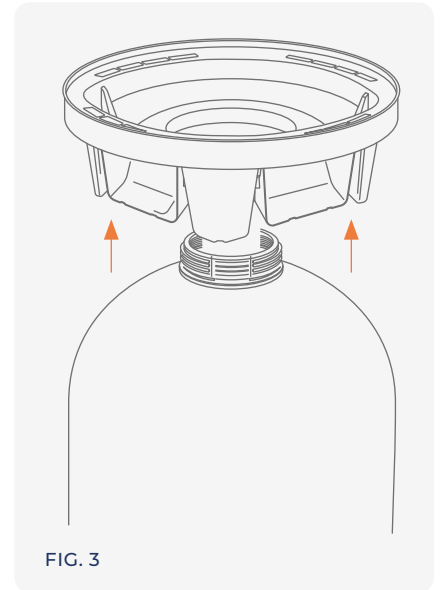
Unscrew the valve using the dedicated dismantling key

### 2. Valve extraction with dip tube or bag kit



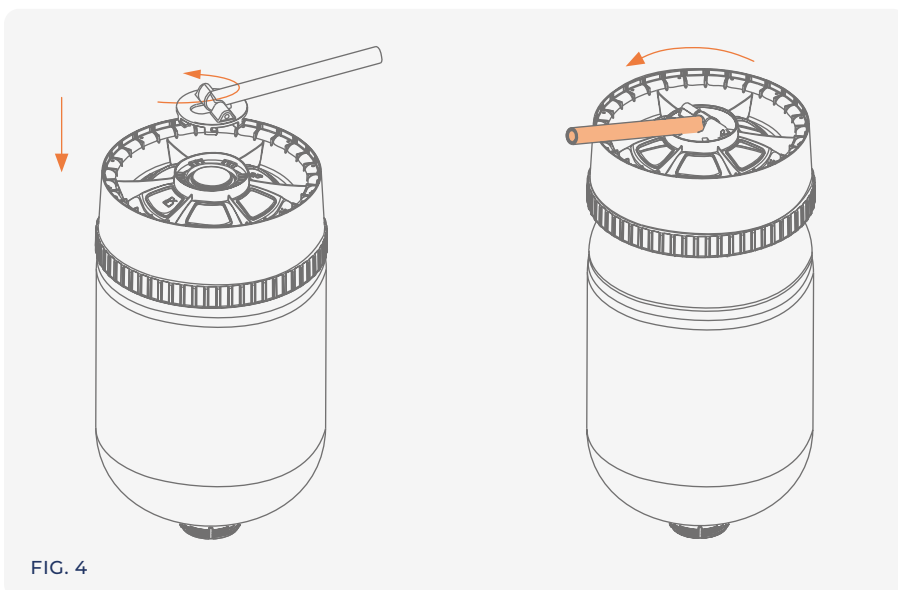
Pull out of the bottle the valve and the dip tube, or the valve and the bag kit.

### 3. Handle removal



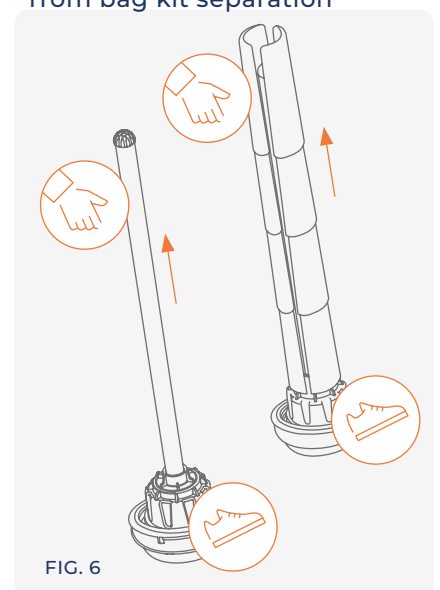
Remove the keg handle.

### 4. Base – keg detachment



Lock the key on the base of the keg and turn the lever 180° anticlockwise.

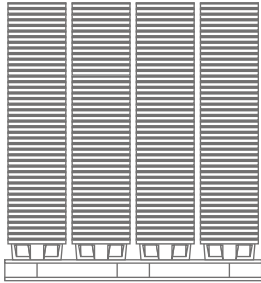
### 5. Valve from dip tube or from bag kit separation



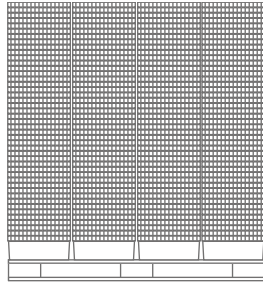
Remove the valve from the tube or bag kit by holding the valve and pulling the tube or bag kit towards you.



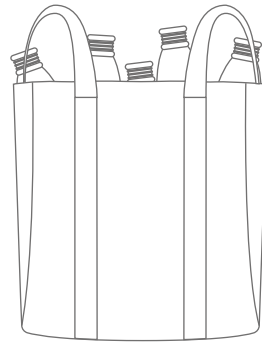
## 6. Sorted keg components



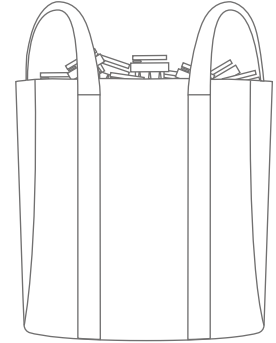
**HANDLES**



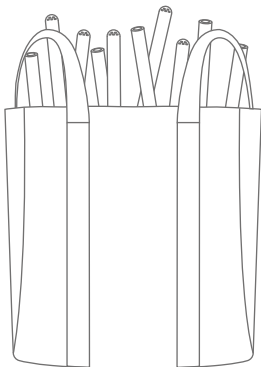
**BASES**



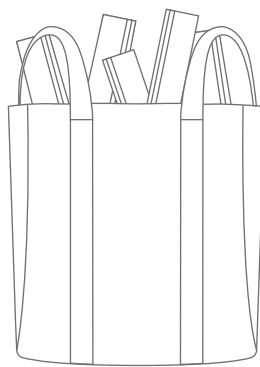
**BOTTLES**



**VALVE**



**DIP TUBES**



**BAGS**



**BAG NECKS**

Store the keg components in appropriate boxes at the end of each step.